

Cila

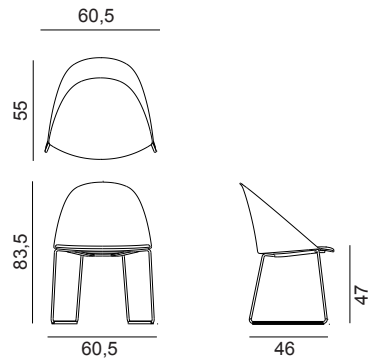
Design by Liovore Altherr, 2017

Art. 2211

Chair with chromed or powder-coated steel sled base and shell fully upholstered in leather, coated fabric, fabric or customer's own material. Glides for wooden floors available upon request without surcharge.



Dimensions *



* File CAD 2D - 3D available for download at www.arper.com

Frame Base



Shell

arper

www.arper.com

info@arper.com


Cila

Design by Lievore Altherr, 2017

SHIPMENT DETAILS

Art.2211

1 pz = 2  - kg 13,56/ m³ 0,337

4 pz = 2  - kg 39,95/ m³ 0,501

TECHNICAL SPECIFICATIONS

Art.2211

COL requirement m² 3

H 140 cm. COM Meterage m 1.31

*Classe 1, 2, 1IM: fire retardant version available with surcharge and eventual minimum batch

RESISTANCE TEST

- TUV GS (EN16139)

FIRE RETARDANT TEST

ENVIRONMENTAL CERTIFICATIONS



arper

www.arper.com
info@arper.com

www.arper.com